



WINKELMANN

Elektromotoren

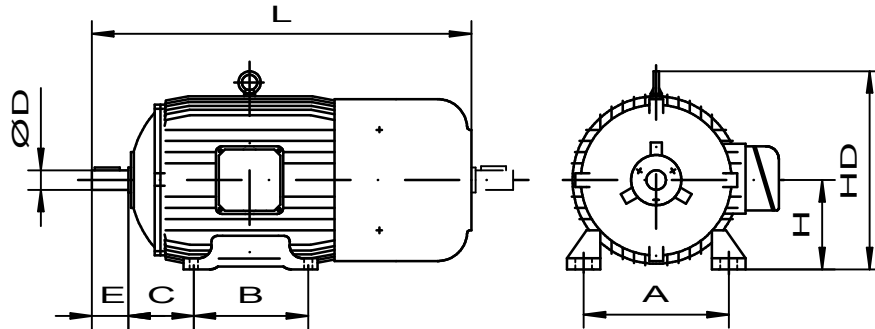
Dimensional drawing: Frame size 90 - 250 - 2 pole

Three-phase-asynchronous motors IP 44 to IP 56

Type: D..ZE
D..ZO

Mounting: B3
IM 1001

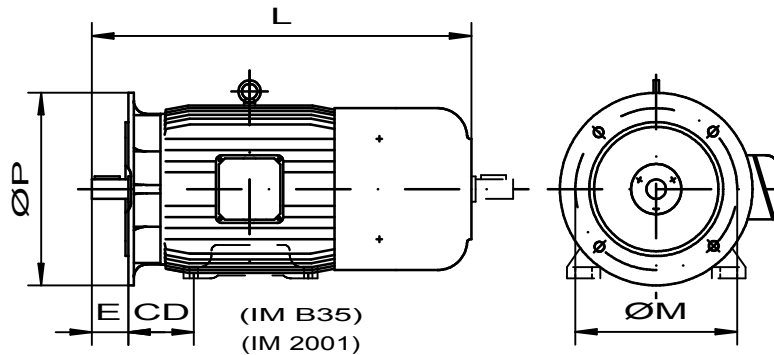
Cooling: IC 411
IC 416



Type: D..FZE
D..FZO

Mounting: B5
IM 3001

Cooling: IC 411
IC 416



Type	A	B	C	CD	D	E	H	HD	L	L	M	P
									Type E	Type O	or	
90M	140	125	56	56	24	50	90	212	335	475	FT115 165	140 200
90L	140	125	56	56	24	50	90	212	385	525	FT115 165	140 200
100M	160	140	63	63	28	60	100	231	366	496	FT130 215	160 250
112M	190	140	70	70	28	60	112	265	383	518	FT130 215	160 250
132SM	216	178	89	89	38	80	132	306	486	606	FT165 265	200 300
132M	216	178	89	89	38	80	132	306	486	606	FT165 265	200 300
160S	254	210	108	108	42	110	160	360	593	733	300	350
160SM	254	254	108	108	42	110	160	360	633	773	300	350
160M	254	254	108	108	42	110	160	360	633	773	300	350
180S	279	241	121	121	48	110	180	399	651	781	300	350
200M	318	305	133	133	55	110	200	446	747	859	350	400
200L	318	305	133	133	55	110	200	446	837	949	350	400
225L	356	311	149	149	60	140	225	504	921	1049	400	450
250L	406	349	168	168	65	140	250	563	949	1079	500	550

This dimension sheet indicates standard dimensions. A detailed drawing is available on request.
Special requirements concerning electrical and mechanical design can be performed.
You also find these information on the Internet: www.w-winkelmann.com

Stand 09.09.2013



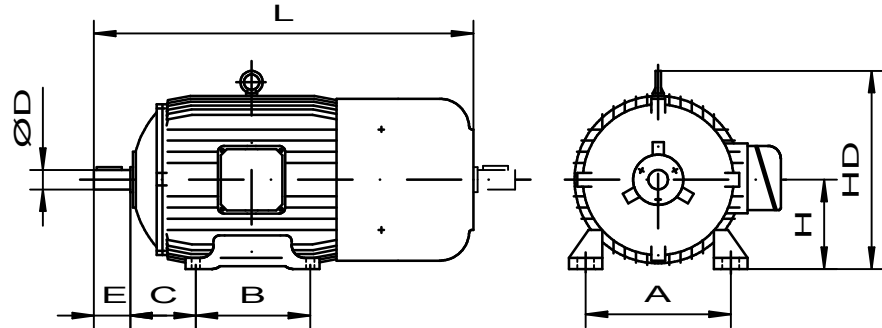
Dimensional drawing: Frame size 90 - 250 - 4 pole

Three-phase-asynchronous motors IP 44 to IP 56

Type: D..ZE
D..ZO

Mounting: B3
IM 1001

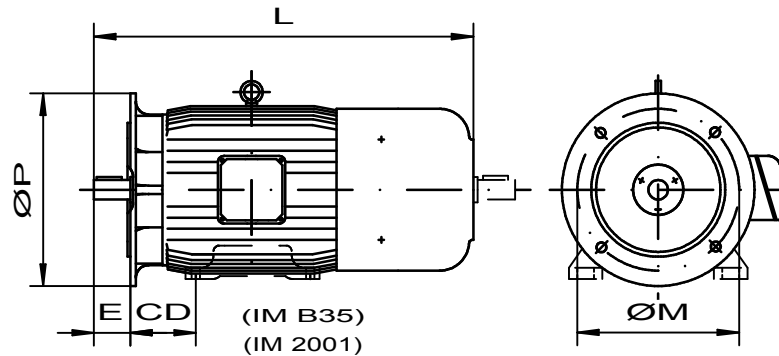
Cooling: IC 411
IC 416



Type: D..FZE
D..FZO

Mounting: B5
IM 3001

Cooling: IC 411
IC 416



Type	A	B	C	CD	D	E	H	HD	L		M	P
									Type E	Type O		
90M	140	125	56	56	24	50	90	212	335	475	FT115 165	140 200
90L	140	125	56	56	24	50	90	212	385	525	FT115 165	140 200
100ML	160	140	63	63	28	60	100	231	436	566	FT130 215	160 250
100L	160	140	63	63	28	60	100	231	436	566	FT130 215	160 250
112LL	190	140	70	70	28	60	112	265	483	618	FT130 215	160 250
132M	216	178	89	89	38	80	132	306	486	606	FT165 265	200 300
132L	216	178	89	89	38	80	132	306	556	676	FT165 265	200 300
160M	254	254	108	108	42	110	160	360	633	738	300	350
160L	254	254	108	108	42	110	160	360	773	878	300	350
180M	279	279	121	121	48	110	180	399	689	819	300	350
180L	279	279	121	121	48	110	180	399	819	949	300	350
200L	318	305	133	133	55	110	200	446	837	949	350	400
225ML	356	311	149	149	60	140	225	504	921	1049	400	450
225L	356	311	149	149	60	140	225	504	921	1049	400	450
250L	406	349	168	168	65	140	250	563	949	1049	500	550

This dimension sheet indicates standard dimension. A detailed drawing is available on request.
Special requirements concerning electrical and mechanical design can be performed.
You also find these information on the Internet: www.w-winkelmann.com



WINKELMANN

Elektromotoren

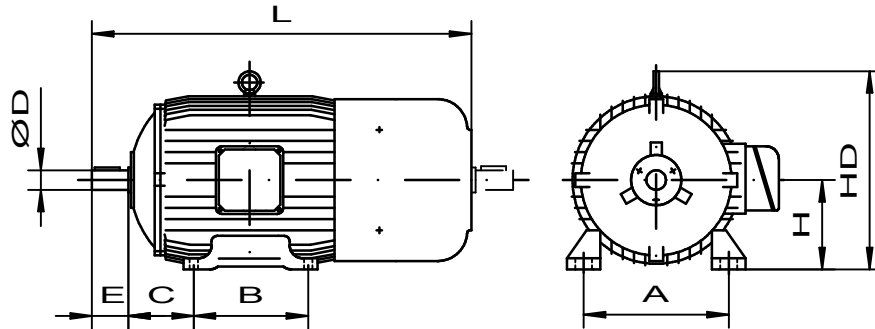
Dimensional drawing: Frame size 90 - 250 - 6 pole

Three-phase-asynchronous motors IP 44 to IP 56

Type: D..ZE
D..ZO

Mounting: B3
IM 1001

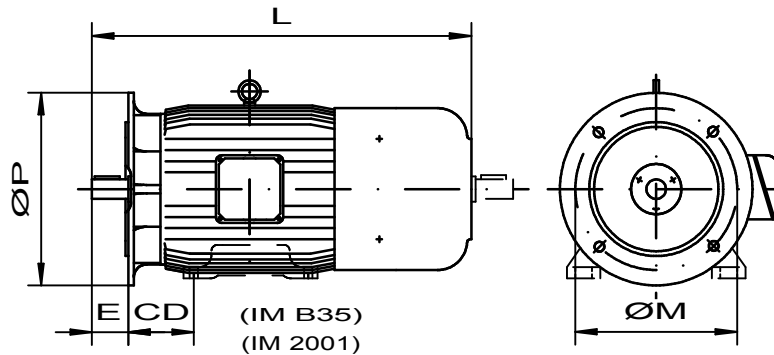
Cooling: IC 411
IC 416



Type: D..FZE
D..FZO

Mounting: B5
IM 3001

Cooling: IC 411
IC 416



Type	A	B	C	CD	D	E	H	HD	L		M	P
									Type E	Type O		
90M	140	125	56	56	24	50	90	212	335	475	FT115 165	140 200
90L	140	125	56	56	24	50	90	212	385	525	FT115 165	140 200
100L	160	140	63	63	28	60	100	231	366	496	FT130 215	160 250
112L	190	140	70	70	28	60	112	265	383	518	FT130 215	160 250
132SM	216	178	89	89	38	80	132	306	486	606	FT165 265	200 300
132M	216	178	89	89	38	80	132	306	486	606	FT165 265	200 300
132L	216	178	89	89	38	80	132	306	556	676	FT165 265	200 300
160M	254	254	108	108	42	110	160	360	633	738	300	350
160L	254	254	108	108	42	110	160	360	773	878	300	350
180L	279	279	121	121	48	110	180	399	819	949	300	350
200ML	318	305	133	133	55	110	200	446	837	949	350	400
200L	318	305	133	133	55	110	200	446	837	949	350	400
225L	356	311	149	149	60	140	225	504	921	1049	400	450
250L	406	349	168	168	65	140	250	563	949	1079	500	550

This dimension sheet indicates standard dimensions. A detailed drawing is available on request.
Special requirements concerning electrical and mechanical design can be performed.
You also find these information on the Internet: www.w-winkelmann.com