

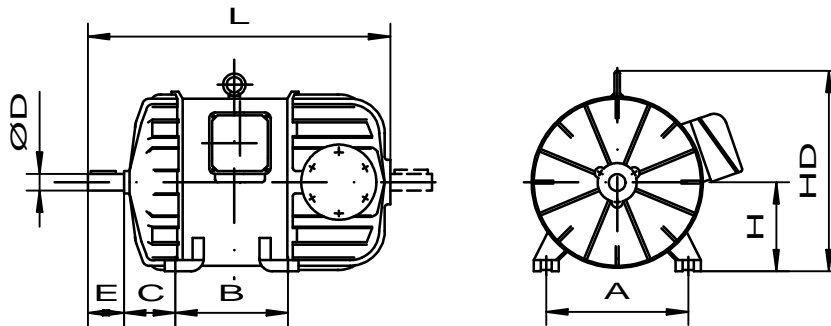


## Dimensional drawing: Frame size 96 - 2230

Explosion-proof direct current motors directive 2014/34/EU as ignition protection category "d" flameproof enclosure

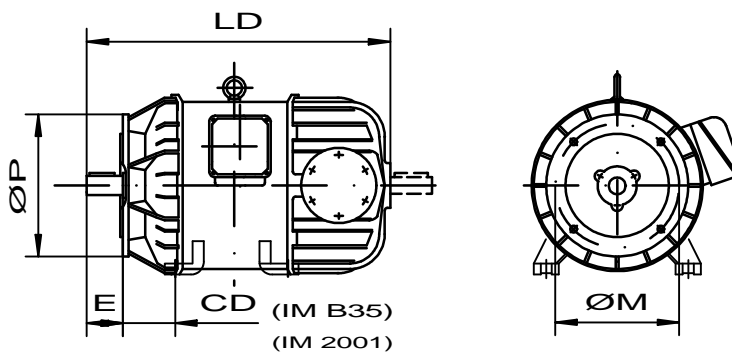
Type: d-G..Z

Mounting: IM B3  
IM 1001  
cooling: IC 410



Type: d-G..FZ

Mounting: IM B5  
IM 3001  
Cooling: IC 410



Type	A	B	C	CD	D	E	H	HD	L	LD	M	P
96	140	110	80	80	24	50	90	303	327	327	FT85	105
911		110							130	160		
106	190	90	115	146	24	50	112	266	425	456	130	160
1011		140							506			
1014		170							536	165	200	
1018		170							576			
1310	220	240	73	88	28	60	150	330	502	517	165	200
1315		290							567			
1318		320							597	215	250	
1712	300	260	120	151	38	80	200	450	681	712	215	250
1718		320							772			
1724		380							832	265	300	
1730		440							892			
2220	340	430	97	127	48	110	225	501	829	859	300	350
2225		480							909			
2230		530							959			

This dimension sheet indicates standard dimensions. A detailed drawing is available on request. Special requirements concerning electrical and mechanical design can be performed.

You also find these information on the Internet: [www.w-winkelmann.com](http://www.w-winkelmann.com)

Stand 15.04.2016