



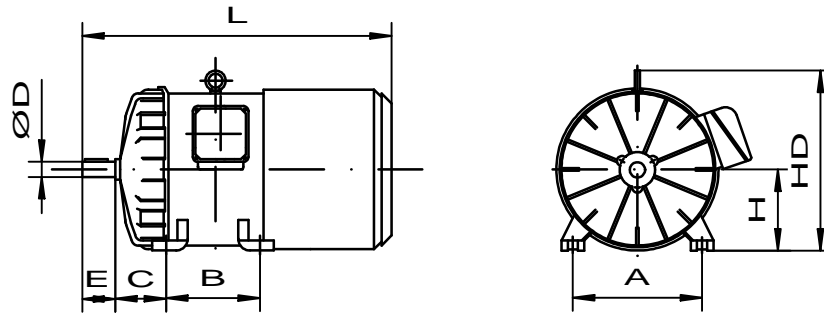
Dimensional drawing: Frame size 96 - 315.44

Explosion-proof direct current motors directive 2014/34/EU as ignition protection category "d" flameproof enclosure

Type: d-G..ZE

Mounting: IM B3
IM 1001

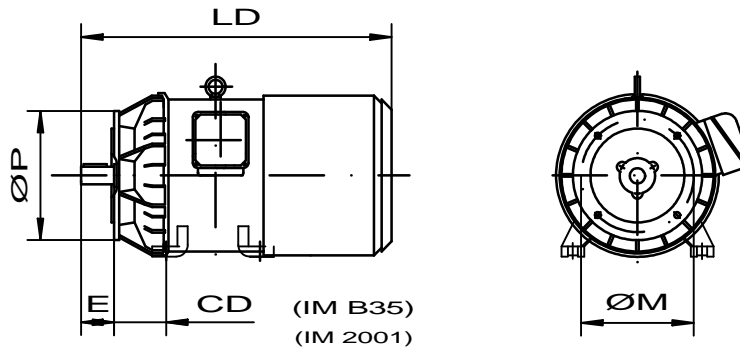
Cooling: IC 411



Type: d-G..FZE

Mounting: IM B5
IM 3001

Cooling: IC 411



Type	A	B	C	CD	D	E	H	HD	L	LD	M	P
96	140	110	80	80	24	50	90	303	416	416	FT85	105
911		110							466	466		130
106	190	90	115	146	24	50	112	266	516	547	130	160
1011		140							566	597		
1014		170							596	627	165	200
1018		170							636	667		
1310	220	240	73	88	28	60	150	330	599	614	165	200
1315		290							649	664		
1318		320							679	694		
1712	300	260	120	151	38	80	200	450	795	826	215	250
1718		320							855	886		
1724		380							915	946	265	300
1730		440							975	1006		
2220	340	430	97	127	48	110	225	501	977	1007	300	350
2225		480							1027	1057		
2230		530							1077	1107		
315.31	508	457	262,5	262,5	80	170	315	1148	1519	1519	600	660
315.38									1589	1589		
315.44									1649	1649		

This dimension sheet indicates standard dimensions. A detailed drawing is available on request.
Special requirements concerning electrical and mechanical design can be performed.
You also find these information on the Internet: www.w-winkelmann.com