



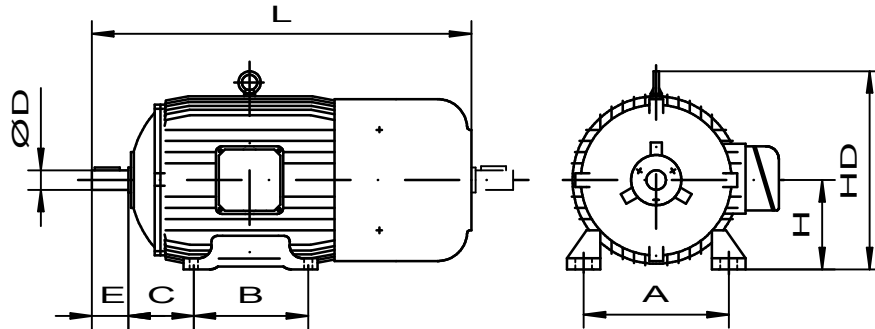
Dimensional drawing: Frame size 71 - 200

Direct current motors IP 44 to IP 55

Type: G..ZE
G..ZO

Mounting: B3
IM 1001

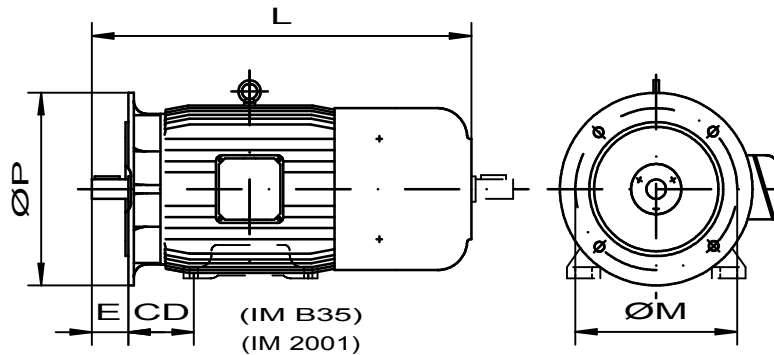
Cooling: IC 411
IC 416



Type: G..FZE
G..FZO

Mounting: B5
IM 3001

Cooling: IC 411
IC 416



Type	A	B	C	CD	D	E	H	HD	L	L	M	P
									Type E	Type O	or	
71	112	90	45	45	14	30	71	--	305	--	FT85 130	105 160
90	140	125	56	56	24	50	90	212	414	554	FT115 165	140 200
90L	140	125	56	56	24	50	90	212	464	604	FT115 165	140 200
100	160	140	63	63	28	60	100	231	472	602	FT130 215	160 250
112	190	140	70	70	28	60	112	265	478	613	FT130 215	160 250
112M	190	140	70	70	28	60	112	265	554	689	FT130 215	160 250
132	216	178	89	89	38	80	132	306	598	718	FT165 265	200 300
132L	216	178	89	89	38	80	132	306	688	808	FT165 265	200 300
160M	254	254	108	108	42	110	160	360	798	903	300	350
160L	254	254	108	108	42	110	160	360	798	903	300	350
180M	279	279	121	121	48	110	180	399	873	1003	300	350
200S	318	305	133	133	55	110	200	446	960	1072	350	400
200M	318	305	133	133	55	110	200	446	960	1072	350	400
200L	318	305	133	133	55	110	200	446	960	1072	350	400

This dimension sheet indicates standard dimensions. A detailed drawing is available on request.
Special requirements concerning electrical and mechanical design can be performed.
You also find these information on the Internet: www.w-winkelmann.com



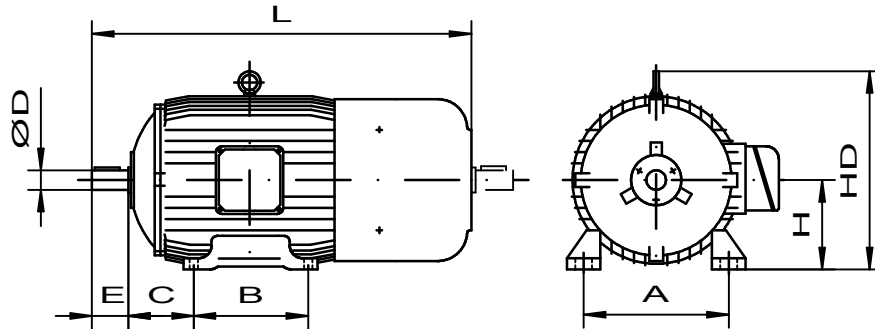
Dimensional drawing: Frame size 225 - 355

Direct current motors IP 44 to IP 55

Type: G..ZE
G..ZO

Mounting: B3
IM 1001

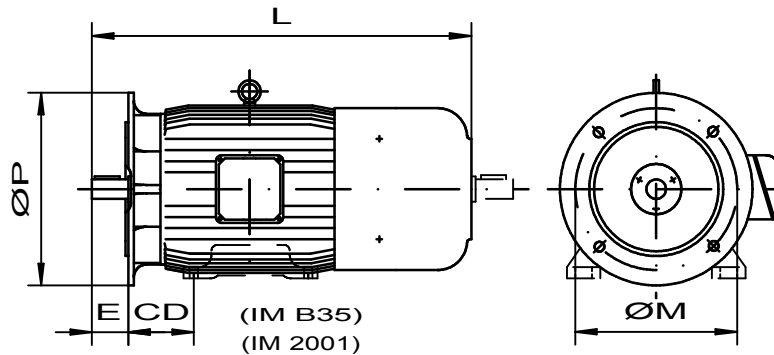
Cooling: IC 411
IC 416



Type: G..FZE
G..FZO

Mounting: B5
IM 3001

Cooling: IC 411
IC 416



Type	A	B	C	CD	D	E	H	HD	L	L Type E	L Type O	M	P
225S	356	311	149	149	60	140	225	504	958	1086	400	450	
225M	356	311	149	149	60	140	225	504	958	1086	400	450	
250S	406	349	168	168	65	140	250	563	1049	1179	500	550	
250M	406	349	168	168	65	140	250	563	1049	1179	500	550	
250L	406	349	168	168	65	140	250	563	1139	1269	500	550	
280S	457	419	190	190	75	140	280	621	1260	1401	500	550	
280M	457	419	190	190	75	140	280	621	1260	1401	500	550	
280L	457	419	190	190	75	140	280	621	1320	1461	500	550	
315S	508	457	216	216	80	170	315	760	1407	1517	600	660	
315M	508	457	216	216	80	170	315	760	1407	1517	600	660	
315L	508	457	216	216	80	170	315	760	1477	1587	600	660	
355S	610	500	254	254	90	170	355	835	1530	1730	740	800	
355M	610	500	254	254	90	170	355	835	1650	1850	740	800	
355L	610	630	254	254	90	170	355	835	1780	1980	740	800	

This dimension sheet indicates standard dimensions. A detailed drawing is available on request. Special requirements concerning electrical and mechanical design can be performed. You also find these information on the Internet: www.w-winkelmann.com